

DATA CONTAINED IN THIS DOCUMENT IS PROPRIETARY TO TROMPETER ELECTRONICS INC. AND SHALL NOT BE DISCLOSED, COPIED OR USED FOR PROCUREMENT OR MANUFACTURE WITHOUT EXPRESS WRITTEN PERMISSION OF TROMPETER ELECTRONICS INC.

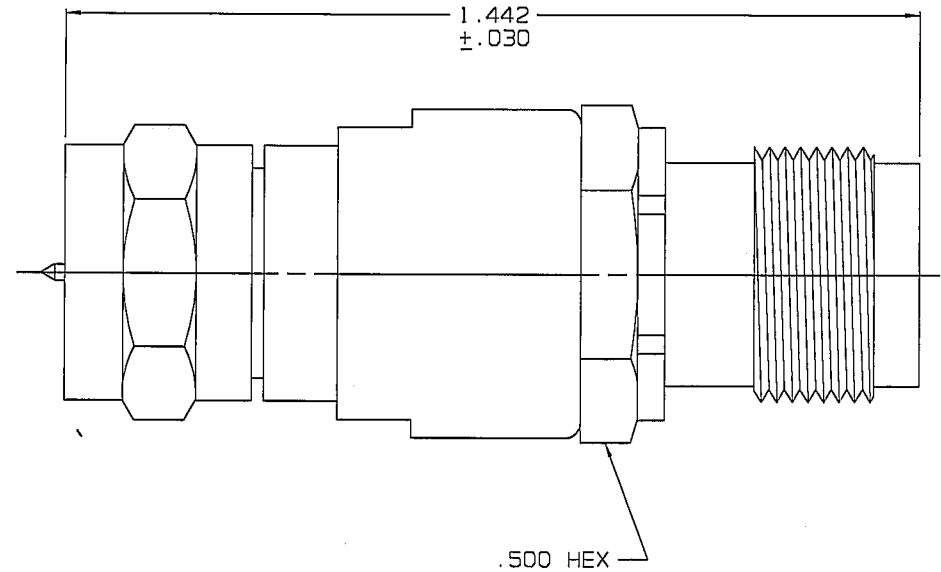
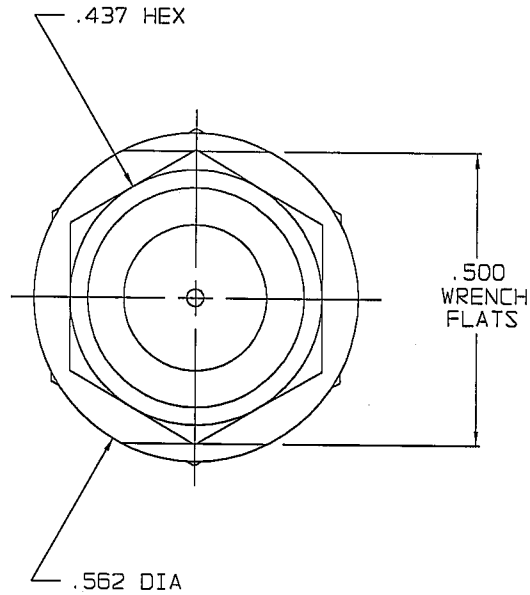
REVISIONS

105-2046

SH 1

REV	DESCRIPTION	DATE	APPROVED
B	REVISED PER ECO 14187	8-01-01	[Signature]

**RED INDICATES ORIGINAL**



INCH	MM
.005	0.13
.030	0.76
.437	11.10
.500	12.70
.562	14.27
1.442	36.63

- ADAPTER BETWEEN SERIES 75 OHM TYPE F PLUG TO 75 OHM TNC RECEPTACLE
- FINISH: TFS-1A (NICKEL)
- ALL DIM ARE IN INCHES

INTERPRET DRAWING PER MIL-STD-100 DIMENSIONS ARE IN INCHES AND INCLUDE FINISH THICKNESS UNLESS OTHERWISE SPECIFIED		TOL: UNLESS SPECIFIED .XX .XXX ± .005 .XXXX ANGLES			
DRAWN: A.H. CHECKED: [Signature] QUALITY: [Signature] MANUF: [Signature] APPROVED: [Signature]	DATE: 8-1-01	MATERIAL:	TITLE: ADLBJ40K1PL130		
NEXT ASSY		FINISH:	SIZE: A CAGE CODE: 14949	DRAWING NO.: 105-2046	REV.: B
ECO FILE NO. 105-2046B1		DO NOT SCALE DWG	SCALE: 4/1	DATE: 3/15/00	SHEET: 1C